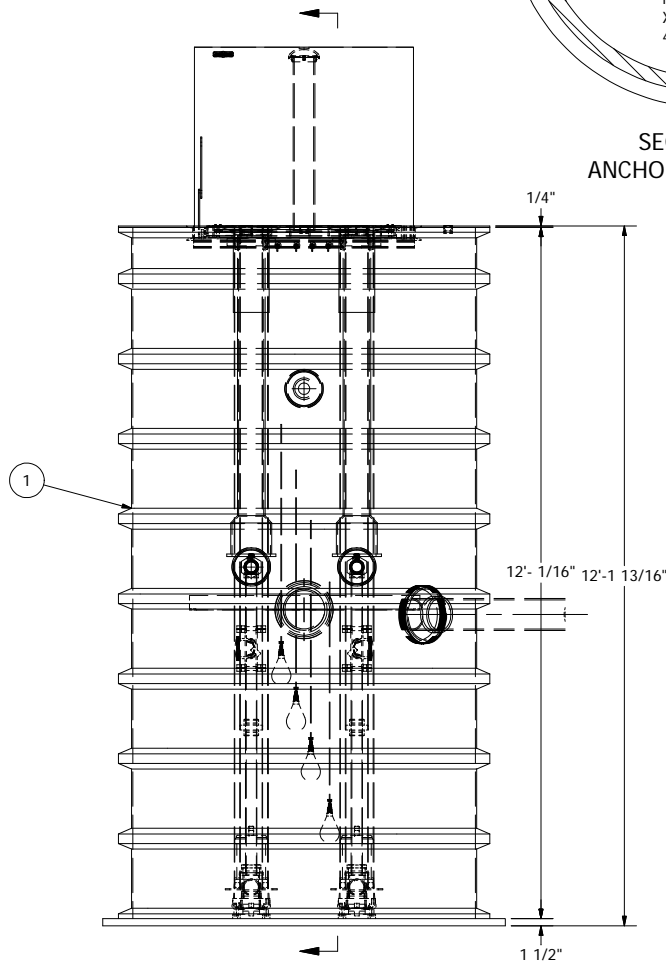
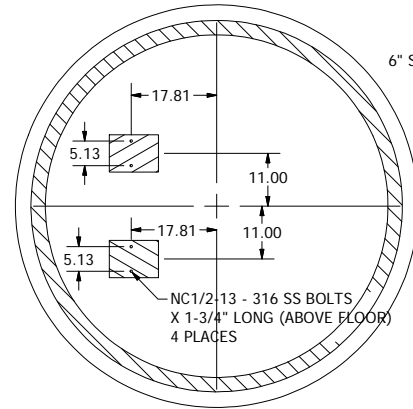
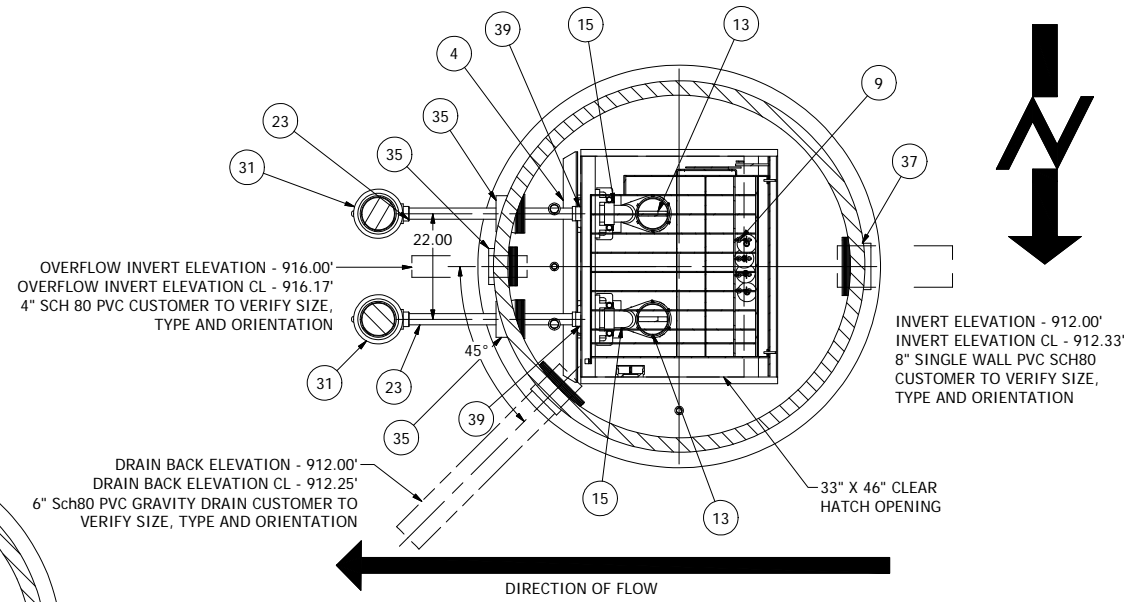


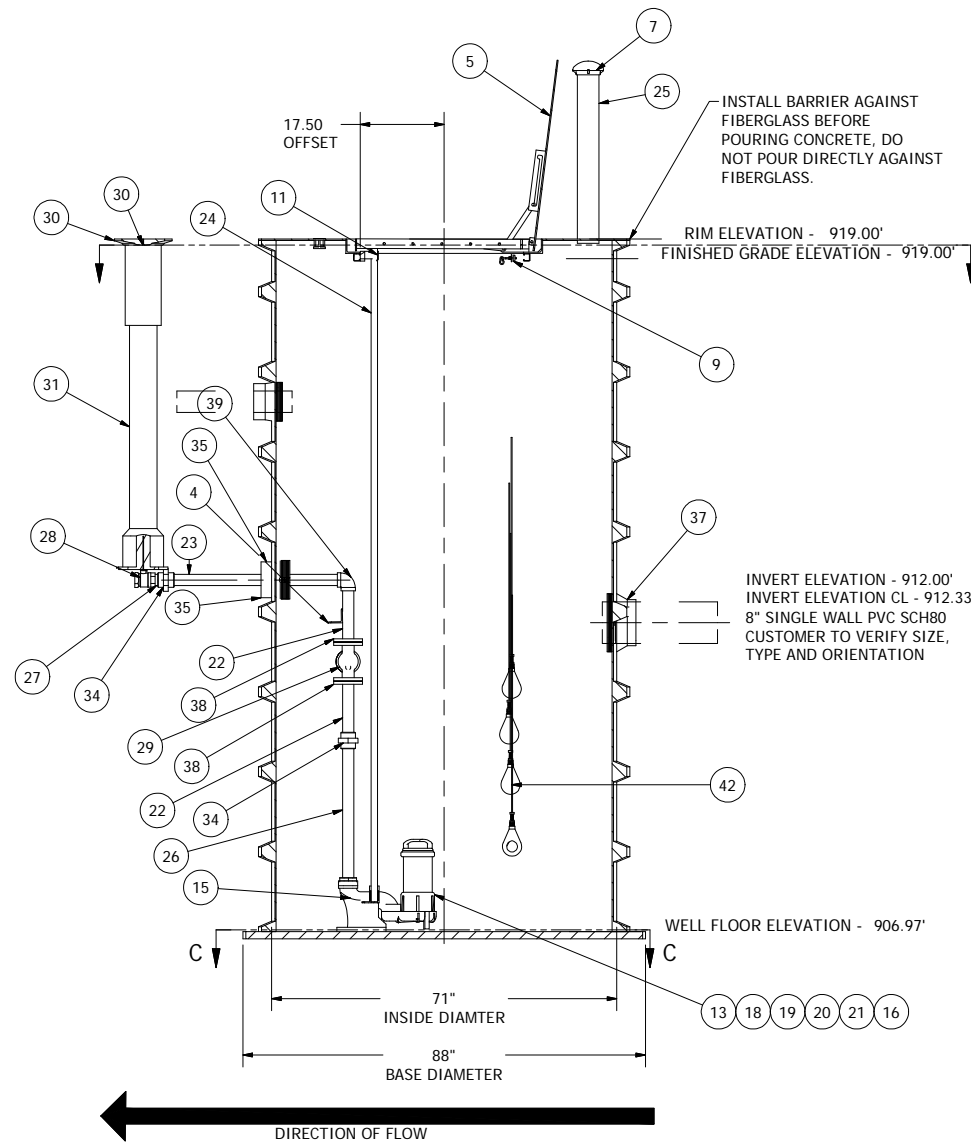
SENSOR AND ELEVATION TABLE		
LEVEL ELEVATION	DISTANCE BETWEEN POINTS	SET POINT DESCRIPTION
912.00		SEWER INVERT IN
910.80		HIGH LEVEL ALARM
	1.5	SENSOR SPACING
909.30		LAG PUMP START
	0.5	SENSOR SPACING
908.80		LEAD PUMP START
	1.0	SENSOR SPACING
907.80		PUMP STOP
	0.83	DISTANCE TO FLOOR
906.97		FLOOR ELEVATION
919.00		TOP OF WET WELL
912.00		6" SEWER INVERT
916.00		4" SEWER INVERT
913.00		3" DIS. INVERT



DISCHARGE ELEVATION - 913.00'  
DISCHARGE ELEVATION CL: 913.08'



**NOTE: WET WELL TOP SLAB IS PEDESTRIAN RATED**



NOTE: ALL DIMENSIONS AND ELEVATIONS SHOWN ARE NOMINAL DIMENSIONS. IT IS THE RESPONSIBILITY OF THE ON-SITE CONTRACTOR OR ROMTEC UTILITIES CUSTOMER (NOT ROMTEC UTILITIES) TO VERIFY THE ACCURACY OF ANY CRITICAL DIMENSIONS OR ELEVATIONS PRIOR TO SETTING OR INSTALLING ANY EQUIPMENT.

**6' DIAMETER WET WELL  
2" DISCHARGE PIPING**

REV	DESCRIPTION	DATE	APPROV
4	UPDATED HIGH LEVEL ELEVATION	4-14-14	ANNA
3	REVISED PER PRODUCTION LUNCH	10-27-13	AD
2	PIPE ELEVATION REVISIONS	9-27-13	AD
1	PER COMMENTS 5/17/13	5-28-13	NG

VERIFY SCALE  
BAR IS ONE INCH ON ORIGINAL DRAWING  
1" = 1'-0" (IF NOT ONE INCH ON THIS SHEET, ADJUST SCALES APPROPRIATELY)

DATE - 4/1/2013

**COMPONENT DRAWING**



**ANIMAL HEALTH PRODUCT FACILITY**  
**2" - 6' DIA WET WELL**

SHEET  
**1 OF 1**  
JOB NUMBER  
**RMTC  
0000**