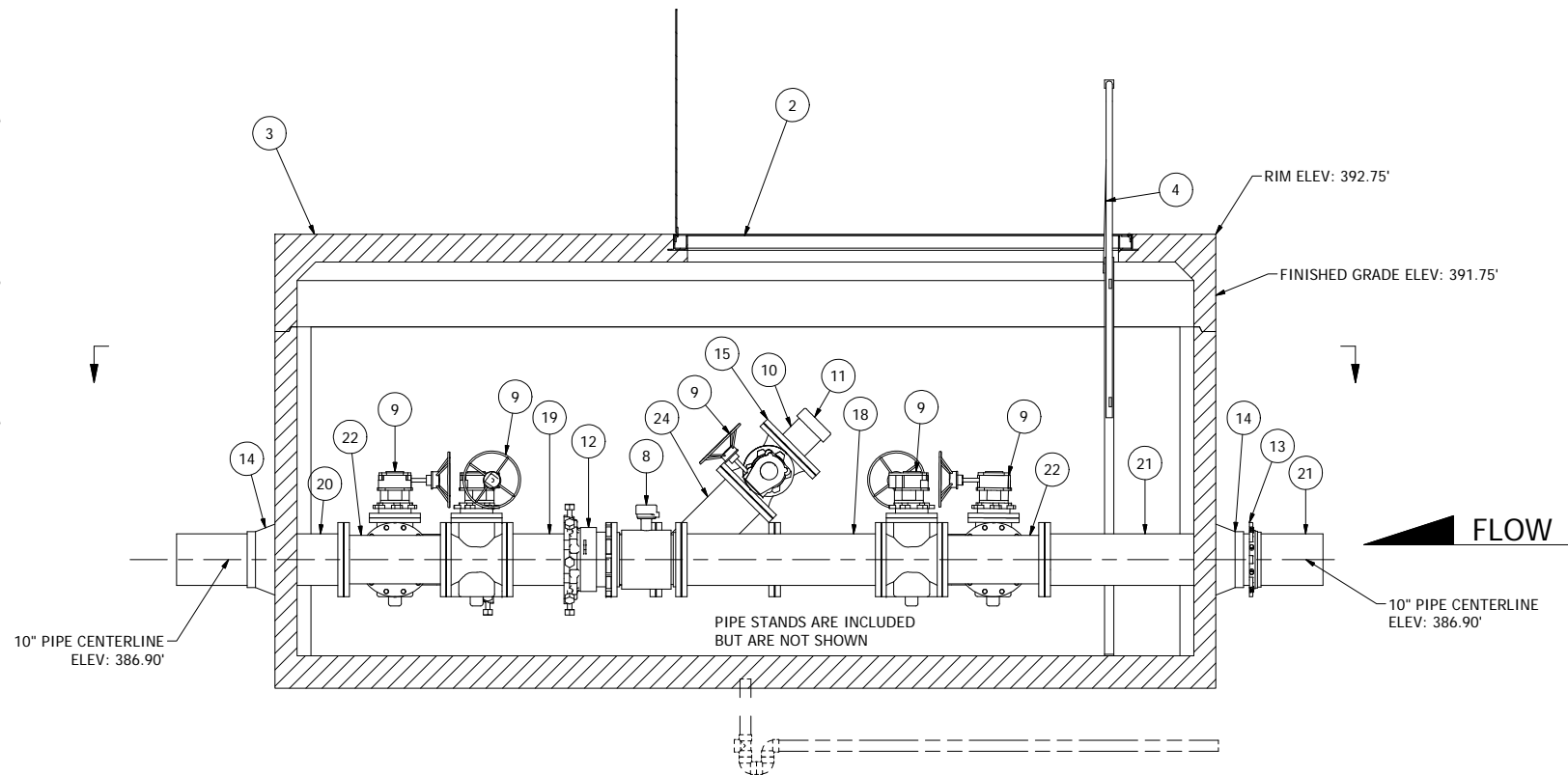
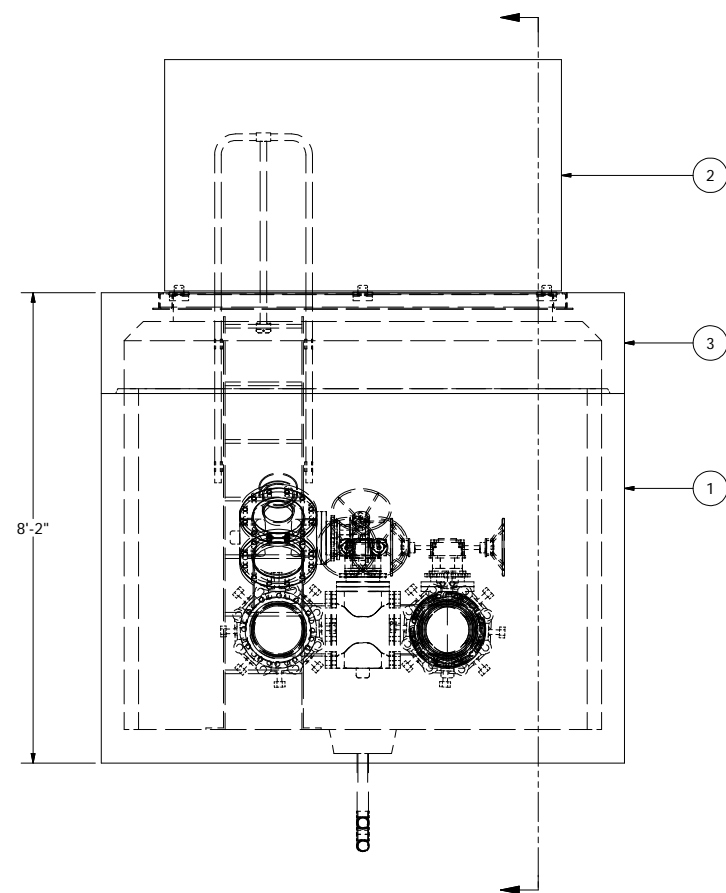


NOTE: VAULT TOP SLAB IS PEDESTRIAN RATED



NOTE: ALL DIMENSIONS AND ELEVATIONS SHOWN ARE NOMINAL DIMENSIONS. IT IS THE RESPONSIBILITY OF THE ON-SITE CONTRACTOR OR ROMTEC UTILITIES CUSTOMER (NOT ROMTEC UTILITIES) TO VERIFY THE ACCURACY OF ANY CRITICAL DIMENSIONS OR ELEVATIONS PRIOR TO SETTING OR INSTALLING ANY EQUIPMENT.

8' X 16' FLOW METER VAULT
10" PIPING WITH FLOW
METER BYPASS AND
PUMPING PORT

ALL MATERIALS SHOWN ON THIS SHEET WILL BE SUPPLIED BY ROMTEC UTILITIES AND DELIVERED TO THE SITE AFTER THE HOLE HAS BEEN EXCAVATED AND SHORED. THE CONTRACTOR SHALL SUPPLY A CRANE OF SUFFICIENT SIZE TO LOWER ALL THE CONCRETE PIECES INTO THE HOLE SAFELY. THE CONTRACTOR SHALL INSTALL THE WET WELL (AND VALVE VAULT AND METERING VAULT IF APPLICABLE). ROMTEC UTILITIES WILL PROVIDE A REPRESENTATIVE FOR TECHNICAL ASSISTANCE ON THE DAY OF INSTALLATION TO ANSWER ANY QUESTIONS THAT MAY ARISE. THE CONTRACTOR IS RESPONSIBLE FOR ALL PLUMBING AND ELECTRICAL CONNECTIONS AND INSTALLATION. ITEMS NOTED AS "BY OTHERS" WILL BE PROVIDED AND INSTALLED BY THE CONTRACTOR. ROMTEC UTILITIES WILL NOT INSTALL ANY OF THE COMPONENTS SHOWN ON THIS PAGE.

© 2015 ROMTEC INC. ALL RIGHTS RESERVED. THESE PLANS AND DRAWINGS MAY NOT BE REPRODUCED, ADAPTED, OR FURTHER DISTRIBUTED, AND NO COMPONENTS MAY BE CONSTRUCTED FROM THESE PLANS, WITHOUT WRITTEN PERMISSION OF ROMTEC, INC.

VERIFY SCALE
BAR IS ONE INCH ON ORIGINAL DRAWING
1"
IF NOT ONE INCH ON THIS SHEET, ADJUST SCALES ACCORDINGLY
0
DSN - AD
DIRN - AD
CKD - AD
DATE - 11-26-14
REV
DESCRIPTION
DATE
APPROV

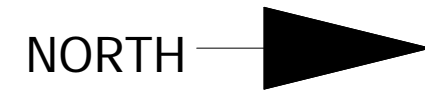
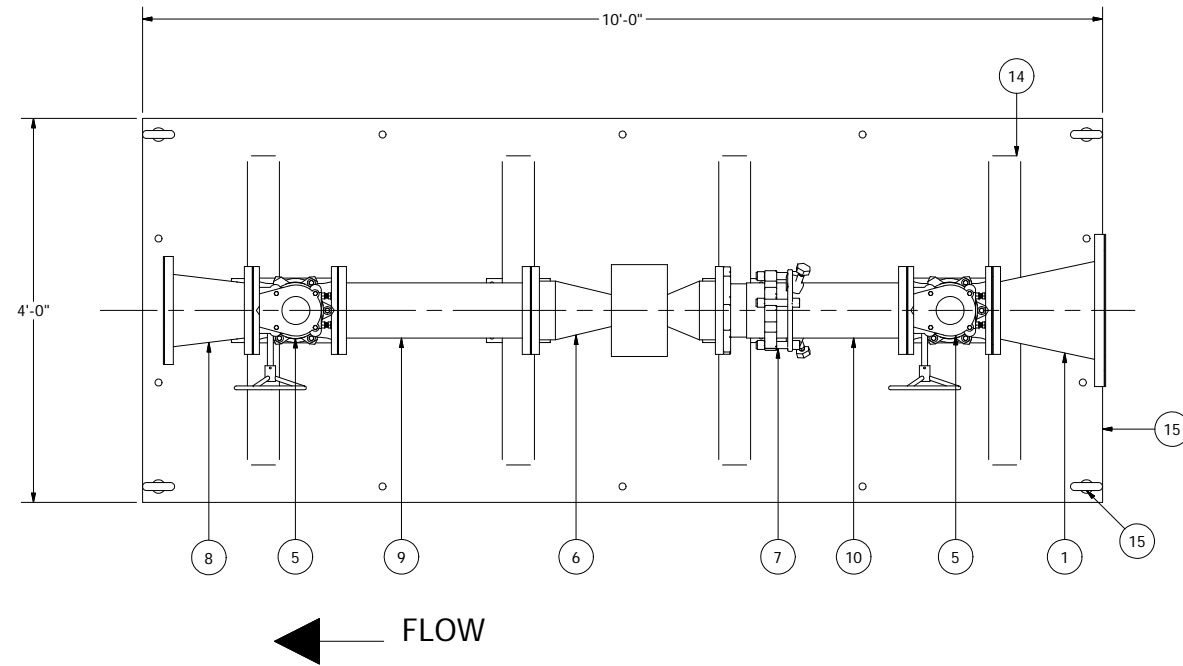
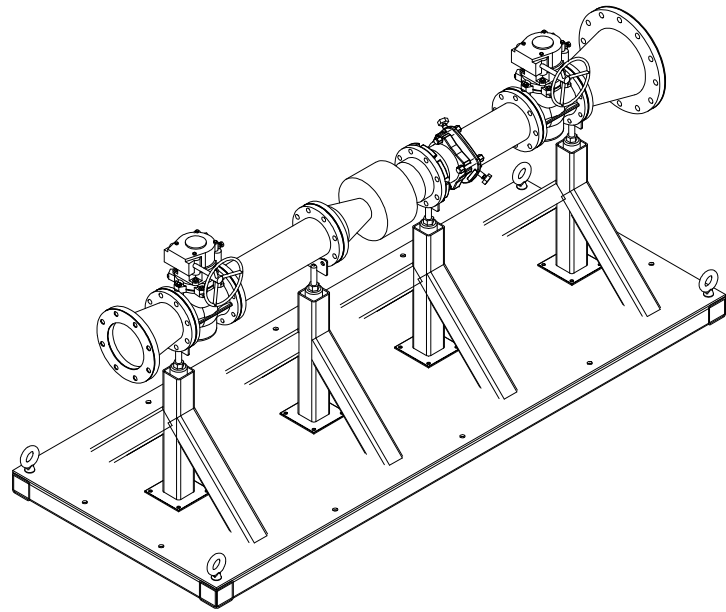
REV	DESCRIPTION	DATE	APPROV
2	REVISED LADDER HEIGHT	3-13-15	AD
1	REVISED PER NEW ELEVATIONS	3-3-15	AD

COMPONENT
DRAWING

ROMTEC UTILITIES
18240 NORTH BANK ROAD
ROSEBURG, OREGON 97470
(541) 496-9678
FAX (541) 496-0804

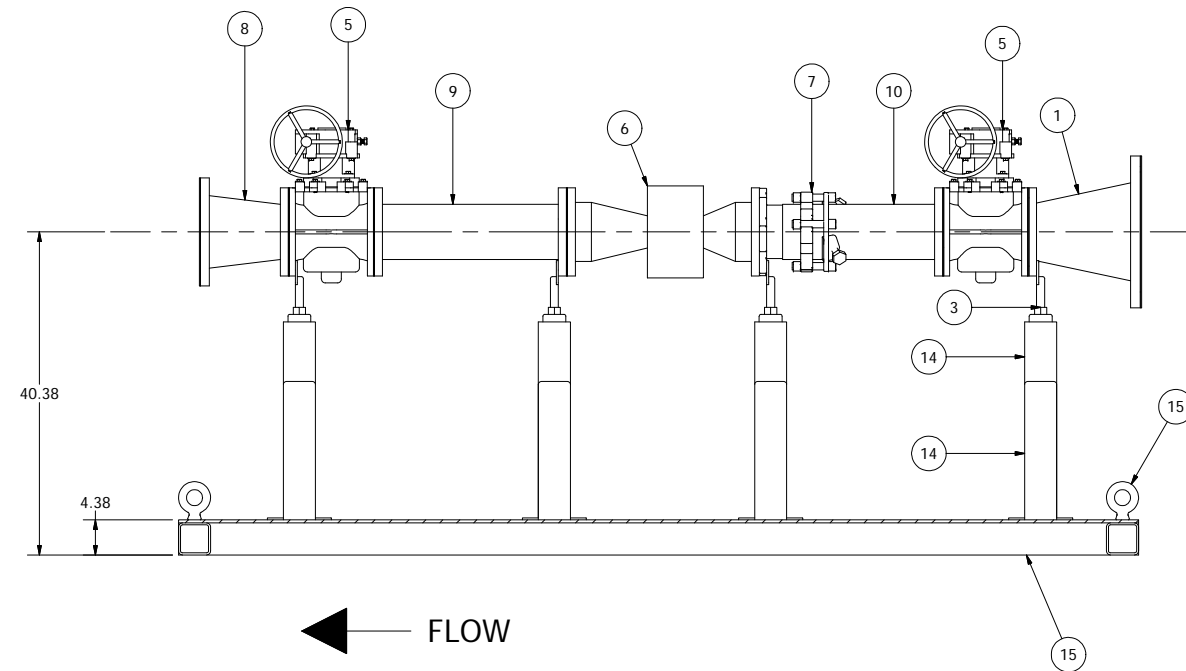
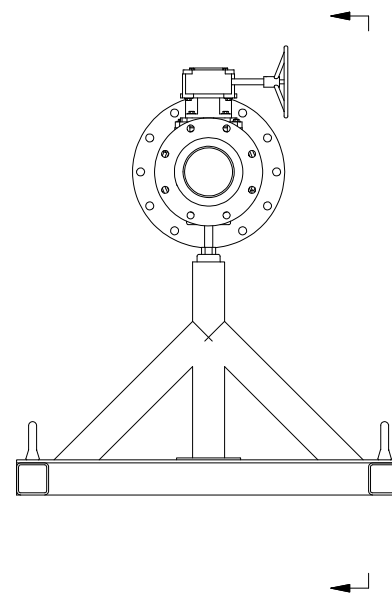
GOSSAMER GROVE
10" METER VAULT W/ BYPASS

SHEET
1 OF 1
JOB NUMBER
RMTC
0000



POTABLE WATER

ABOVE GROUND VALVE
ASSEMBLY SKID, 6" FLOW METER
TO 12" MAIN LINE.



© 2011 ROMTEC INC. ALL RIGHTS RESERVED. THESE PLANS AND DRAWINGS MAY NOT BE REPRODUCED, ADAPTED, OR FURTHER DISTRIBUTED, AND NO COMPONENTS MAY BE CONSTRUCTED FROM THESE PLANS, WITHOUT WRITTEN PERMISSION OF ROMTEC, INC.

NOTE: ALL DIMENSIONS AND ELEVATIONS SHOWN ARE NOMINAL DIMENSIONS. IT IS THE RESPONSIBILITY OF THE ON-SITE CONTRACTOR OR ROMTEC UTILITIES CUSTOMER (NOT ROMTEC UTILITIES) TO VERIFY THE ACCURACY OF ANY CRITICAL DIMENSIONS OR ELEVATIONS PRIOR TO SETTING OR INSTALLING ANY EQUIPMENT.

REV	DESCRIPTION	DATE	APPROV
7	REVISED DISCHARGE REDUCER TO 6" X 6"	7/23/13	AD
6	REVISED TO ABOVE GROUND VALVE ASSEMBLY	6/21/13	AD
5	REVISE FLOW METER TO SENSUS OMNI C2	4/23/13	AD
4	REVISED TO 6" PIPING INSIDE, 12" PIPE OUTSIDE	3/26/13	AD
3	REVISED TO ALL 4" PIPING	3/14/13	NG
2	CHANGES PER 2/7/13 COMMENTS	2-19-13	AD
1	ADDED APPROX. ELEVATIONS	10-24-12	AD

VERIFY SCALE
BAR IS ONE INCH ON ORIGINAL DRAWING
1"
IF NOT ONE INCH ON THIS SHEET ADJUST SCALES PROPORTIONALLY
0
DSN - NG
DRN - NG
CKD - T
DATE - 10/02/12
REV

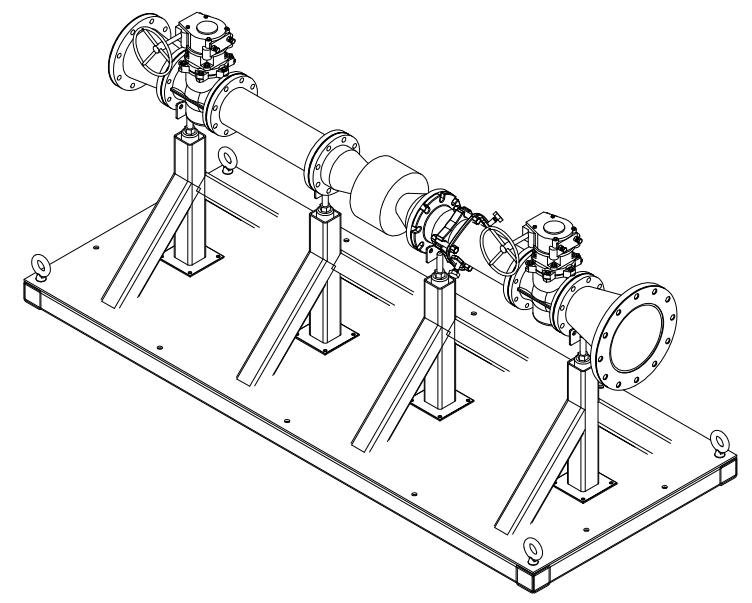
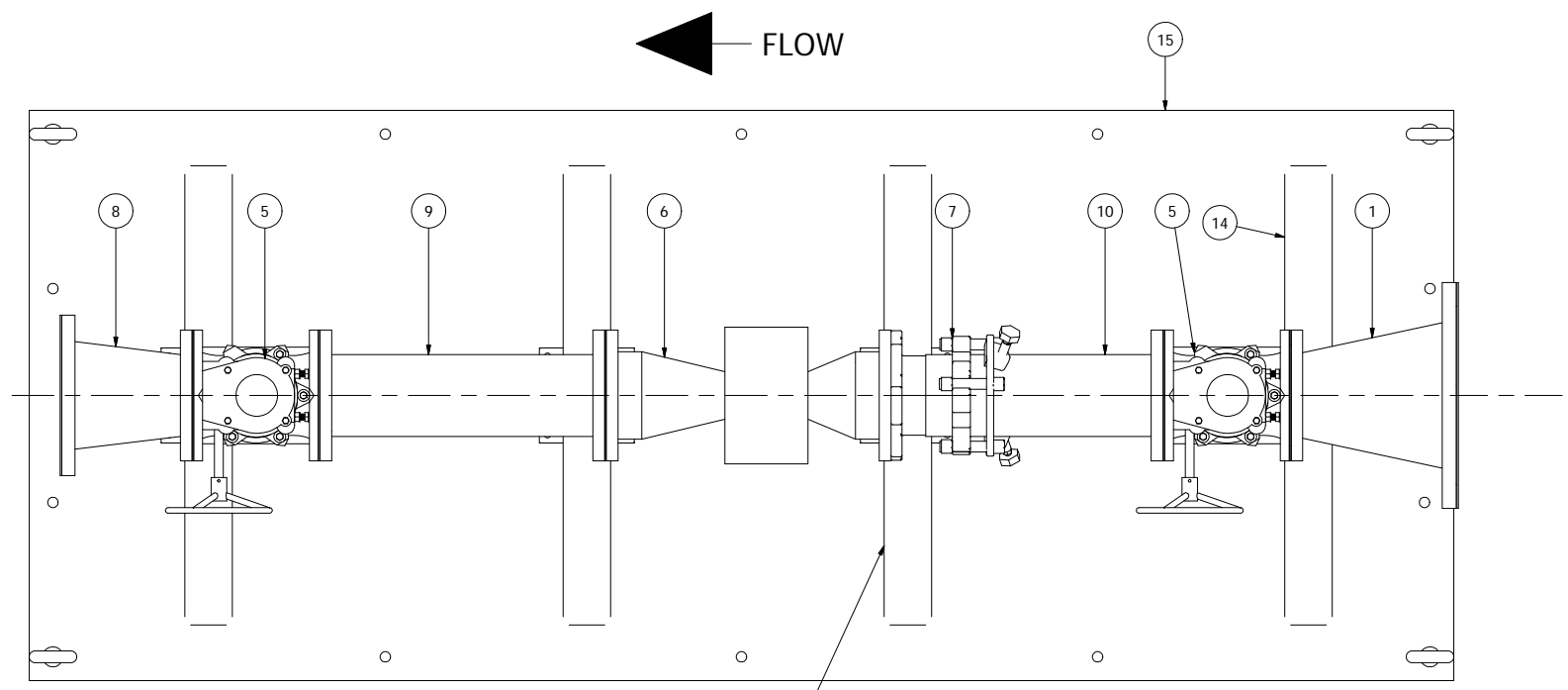
COMPONENT DRAWING

ROMTEC UTILITIES
18240 NORTH BANK ROAD
ROSEBURG, OREGON 97470
(541) 496-9678
FAX (541) 496-0804

FLOW METER 6in - POTABLE
6"/12" - FLOW METER ASSY

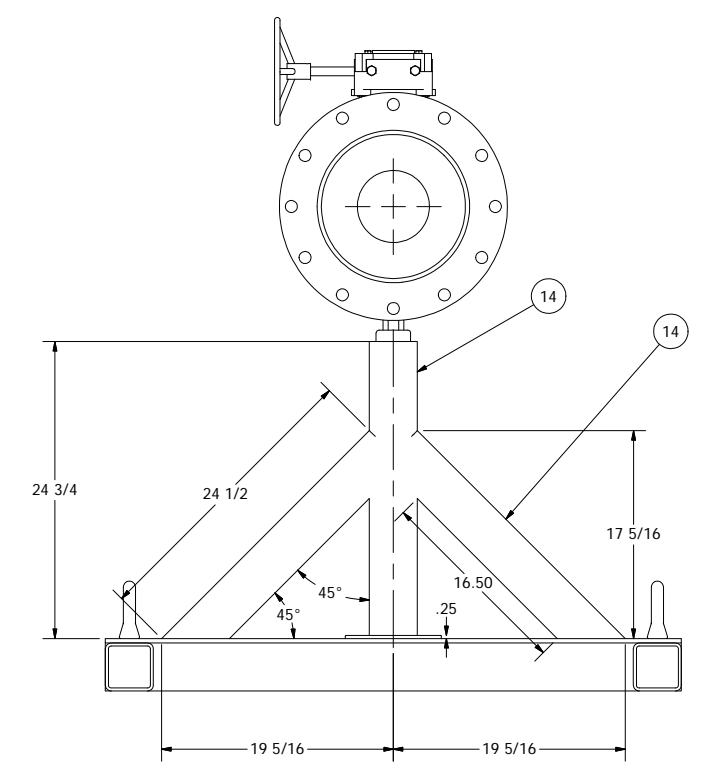
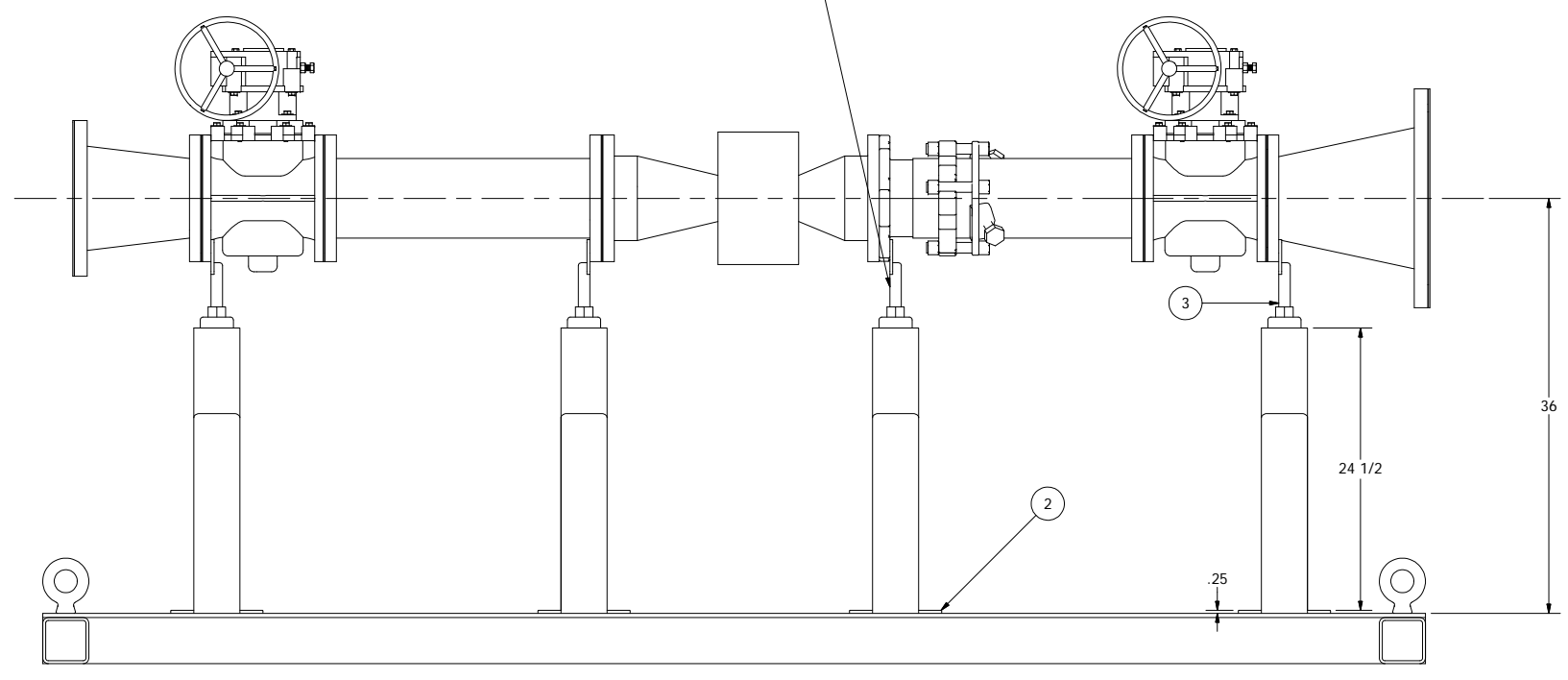
SHEET
1 OF 3

JOB NUMBER
RMTC
0000



NORTH

NOTE:
LOCATE EACH PIPE STAND UNDER THE
FLANGE SHOWN. EXACT LAYOUT DIMENSION
WILL VARY DEPENDING ON THE SIDE OF THE
FLANGE USED.



VERIFY SCALE
BAR IS ONE INCH ON
ORIGINAL DRAWING
1"
IF NOT ONE INCH ON
THIS SHEET ADJUST
SCALE APPROPRIATELY
0
DSN - AD
DRN - AD
CKD - AD
DATE - 8-1-13

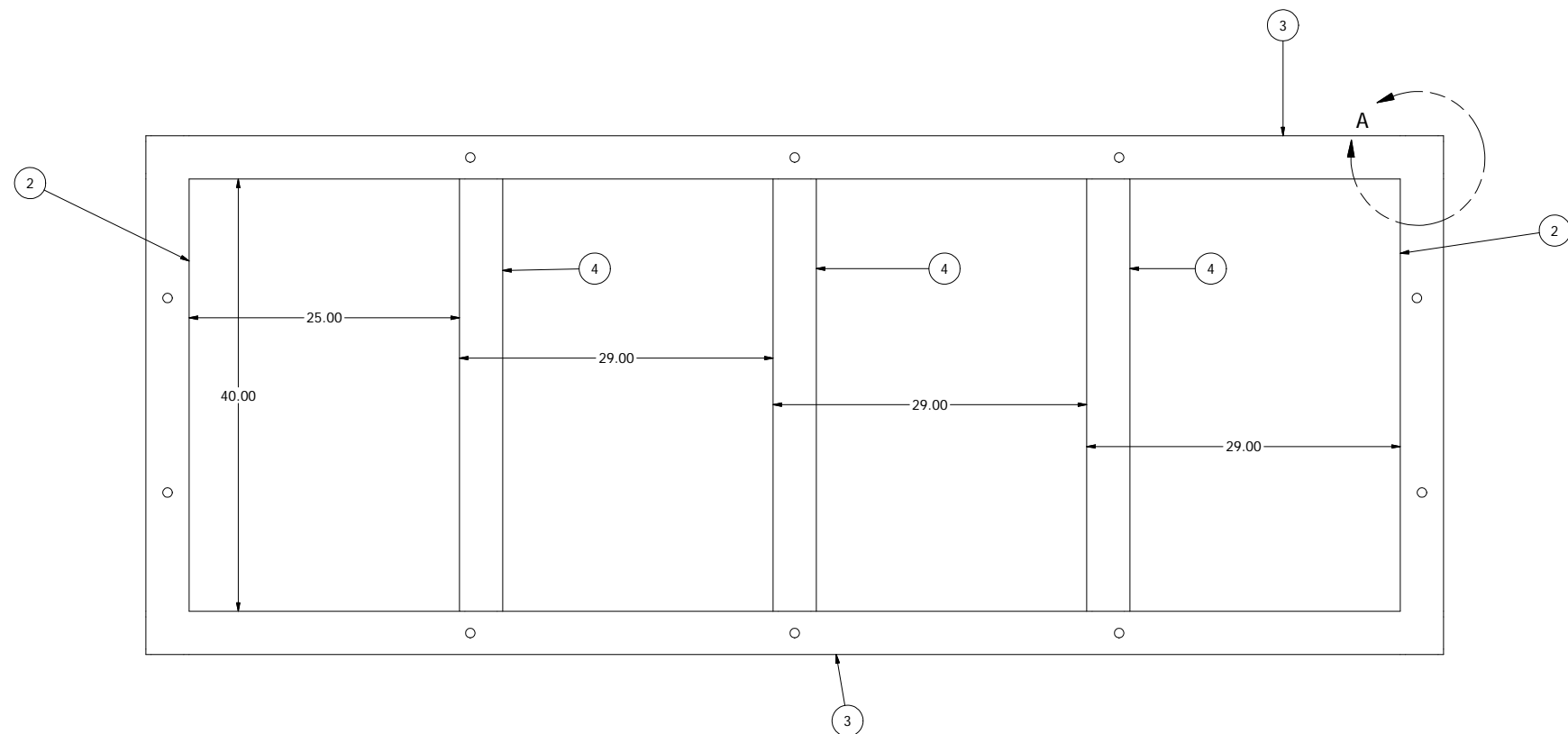
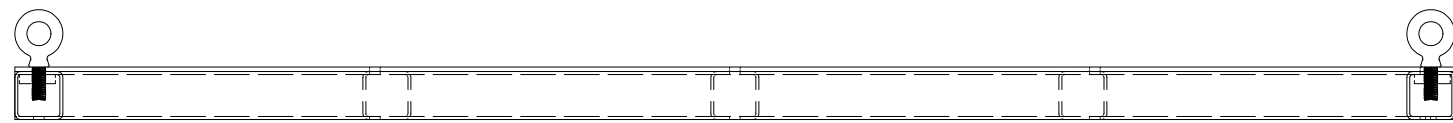
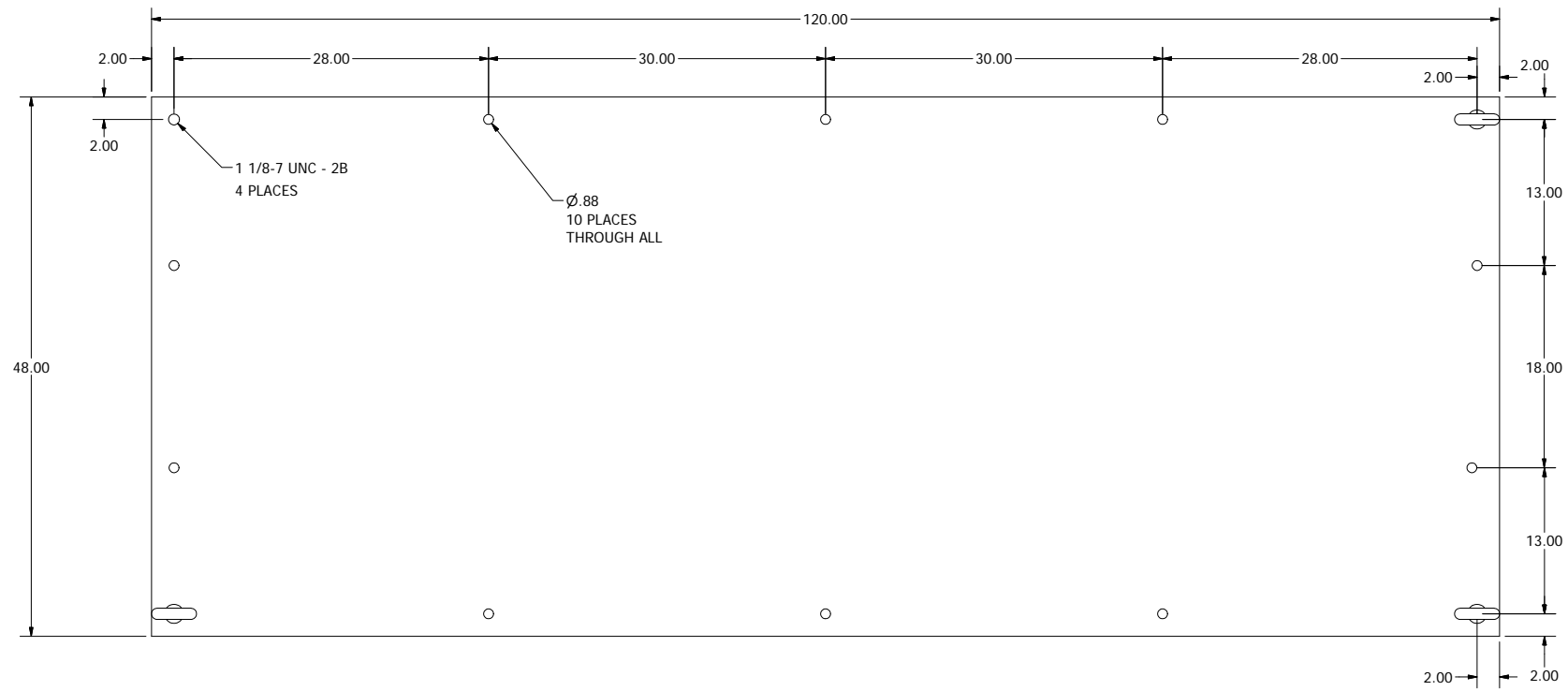
REVISION HISTORY
1
REV
DESCRIPTION
DATE
APPROV
AM

RMTEC UTILITIES
18240 NORTH BANK ROAD
ROSEBURG, OREGON 97470
(541) 496-9678
FAX (541) 496-0804

FLOW METER 6in - POTABLE
PIPE STAND LAYOUT

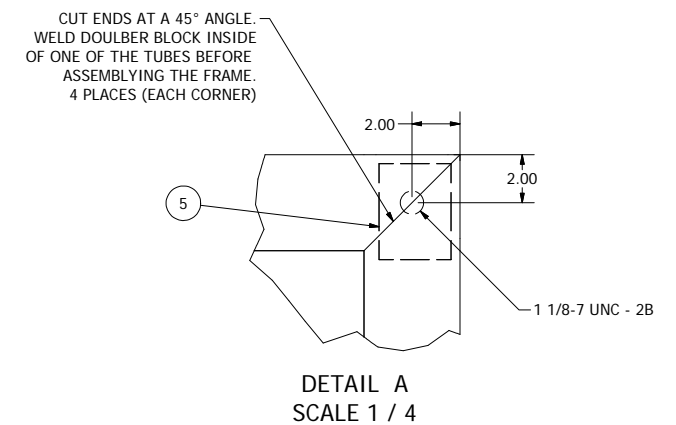
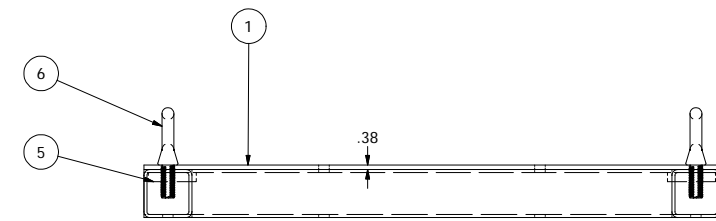
SHEET
2 OF 3

JOB NUMBER
RMTC
0000



NOTE:
ALL MATERIAL: MILD STEEL

FINISH - PRIMER AND FINISH
COAT (BLACK)



VERIFY SCALE
BAR IS ONE INCH ON
ORIGINAL DRAWING

1"

0 IF NOT ONE INCH ON
THIS SHEET ADJUST
SPACES PROPORTIONALLY

DSN - AD
DRN - AD
CKD - AD
DATE - 8-1-13

COMPONENT
DRAWING

**ROMTEC
UTILITIES**
18240 NORTH BANK ROAD
ROSEBURG, OREGON 97470
(541) 496-9678
FAX (541) 496-0804

FLOW METER 6in POTABLE
SKID PLATFORM DETAIL

SHEET
3 OF 3

JOB NUMBER
RMTC
0000

REV	DESCRIPTION	DATE	AM
1			APPROV